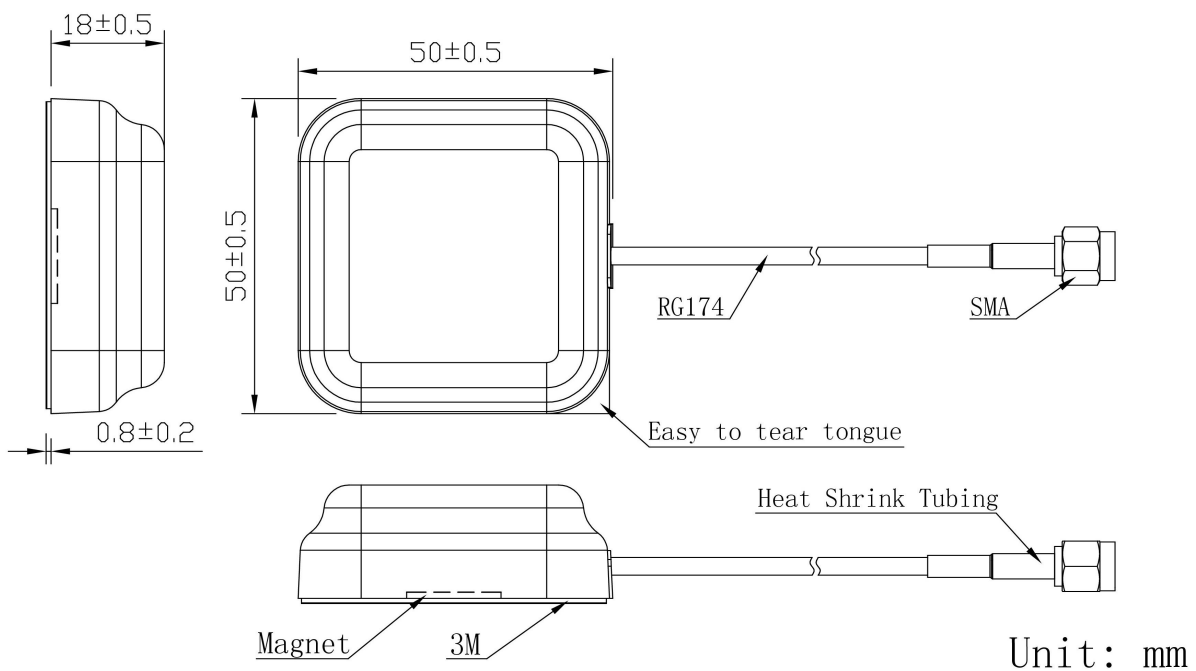


GNSS Active Antenna

JCA236S-300-01S-C-L5



DIMENSIONS



JIAXING JINCHANG ELECTRONIC TECHNOLOGY CO.,LTD

Add: 398#, Zhenye Road, South Street, Jiaxing, Zhejiang, China

Http:// www.jinchanggps.com

E-mail: jcgps@vip.163.com

Tel: 86-0573-83692157/83692605/83958637 Fax: 86-0573-83958635

SPECIFICATIONS

Item		Specifications
Antenna(2 layers)	Frequency Range	High Band BDS-B1/GPS-L1/GLONASS-G1:1561.098~1602MHz Low Band GPS-L5:1176MHz
	Polarization	RHCP
	Gain	3dBic@PCB (Zenith)
	V.S.W.R	<1.5
	Impedance	50 Ω
LNA	Gain	28±2dB
	Noise Figure	≤1.0dB
	Supply Voltage	3~5V DC
	Current Consumption	<45mA
	V.S.W.R	<2.0
Mechanical	Cable	RG174 3M
	Connector	SMA male
	Radome Material	ABS
	Mounting Method	Magnet
Environmental	Operating Temperature	-40℃~+85℃
	Relative Humidity	Up to 95%
	Ingress Protection	IP67
	Vibration	10 to 55Hz with 1.5mm amplitude 2hours
	Environmentally Friendly	ROHS Compliant

Radiation Pattern

